



LU960

BenQ DLP Projector

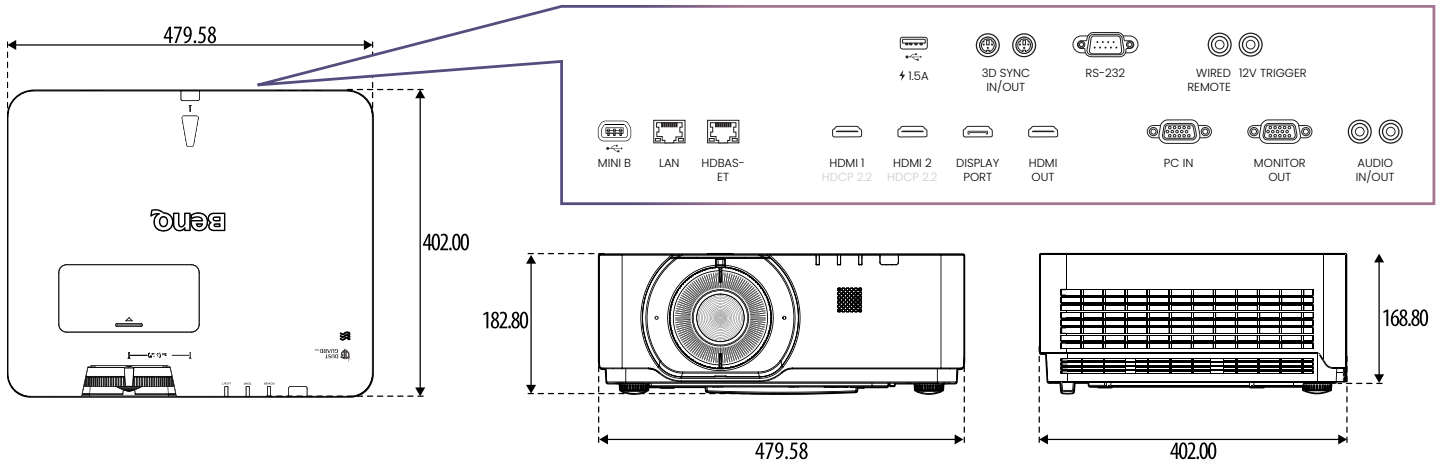
- 5,500 lm BlueCore Laser Light Source
- Support Wide Corner Fit Adjustment and Precise Square Lens Shift Route
- White Balance Calibration for Seamless Blending
- Fast Mode < 16.67 ms Low Latency
- 4K Compatible with sRGB Mode for Rec. 709 96% Colour Accuracy
- With V/ H Lens Shift
- 360 Degree and Portrait
- 20,000hrs/38,000hrs/70,000hrs (Normal /ECO/Dimming) Light Source Life



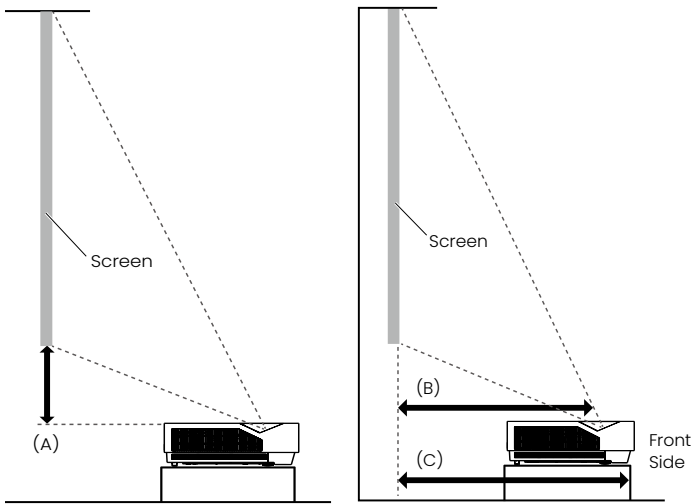
Display	
Projection System	DLP Single 0.48" WUXGA
DMD type	DC3 DMD Chip
Native Resolution	1920X1200 pixels
Brightness	5,500 ANSI Lumens
Contrast Ratio¹	3,000,000:1
Display Color	1.07 Billion Colors
Aspect Ratio	Native 16:10 (6 aspect ratio selectable)
Light Source	Laser diodes
Light Source life²	20,000/38,000/70,000 hours(Normal/Eco/Dimming)
Optional[*]	
Throw Ratio	1.127-1.697
Zoom Ratio	1.5x
Lens shift	Vertical: ± 62 degrees, Horizontal: ± 24 degrees
Keystone Correction	Vertical: ± 30 degrees, Horizontal: ± 30 degrees
Projection Offset	0%
Projection Size	30"~300"
Audio	
Built-in Speaker	10W
Special Feature	
Security	Security Bar,Kensington anti-theft lock slot
Feature	Rec.709 96%, Blank to True Black, 4K Compatible, 360 Degree and Portrait Projection, Custom Lightsource Mode (light power adjustment), Dust Proof Engine, 24/7 Hours Operating, Large H/V Lens Shift, Blanking, Dynamic Dimming, Native Resolution Switch, Fast mode, Wide Corner Fit/ 2D Keystone/ Digital Shrink and Shift
Compatibility	
Resolution Support	VGA (640 x 480) to 4K UHD (3840 x 2160)
Horizontal Frequency	15K~135KHz
Vertical Scan Rate	23~120Hz
HDTV Compatibility	1080i;1080p;480i;480p;576i;576p;720p
Video Compatibility	NTSC, PAL, SECAM
Power	
Power Consumptions(Max/Normal/Eco)	500W/450W/339W
Standby Power consumption	Normal < 0.5Watts. Network < 2W.
Power Supply	100 ~ 240V AC
Dimension and Weight	
Product Dimensions (WxHxD)	479.6 x182.8 x 402 mm
Product Weight	12 kg
Operation Condition	
Noise Level(Normal/Eco)	37/35dBA
Operating Temperature	0 ~ 40oC
Accessories	
Accessories (Standard)	Installation Guide, Safety Guide, Remote Control (RCA024), AA Batteryx2, Power Cord, Warranty card (by Region)
Accessories (Optional)	Ceiling Mount (CMG6)
OSD	
On Screen Display Language	Arabic/Bulgarian/ Croatian/ Czech/ Danish/ Dutch/ English/ Finnish/ French/ German/ Greek/ Hindi/ Hungarian/ Italian/ Indonesian/ Japanese/ Korean/ Norwegian/ Polish/ Portuguese/ Romanian/ Russian/ Simplified Chinese/ Spanish/ Swedish/ Turkish/ Thai/ Traditional Chinese (28 Languages)

1 The Contrast is measure by Full On Full Off standard.
 2 LightSource life results will vary depending on environmental conditions and usage.
 * All related Optical Value is measure by Standard Lens.

DIMENSIONS & INPUT/OUTPUT TERMINALS



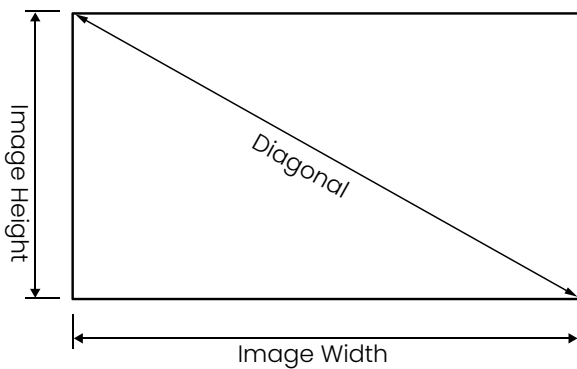
PROJECTION DIMENSIONS



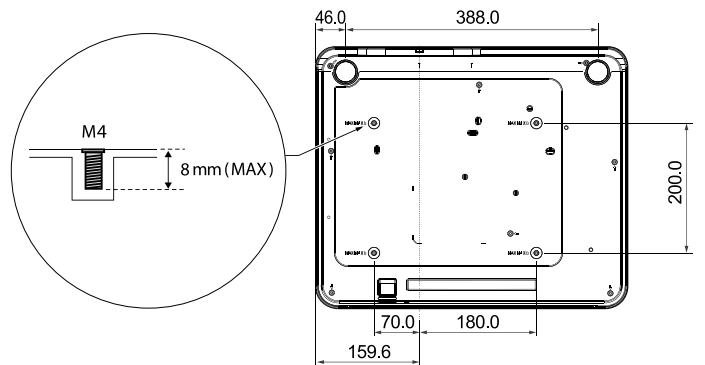
DISTANCE CHART

Image size						Distance					
Diagonal		Width		Height		Min distance - Wide		Average		Max distance - Tele	
Inch	mm	Inch	mm	Inch	mm	Inch	mm	Inch	mm	Inch	mm
60	1524	50.9	1292	31.8	808	57.3	1456	71.8	1825	86.3	2193
100	2540	84.8	2154	53	1346	95.6	2427	119.7	3041	143.9	3655
130	3302	110.2	2800	68.9	1750	124.2	3156	155.7	3954	187.1	4752
150	3810	127.2	3231	79.5	2019	143.4	3641	179.6	4562	215.9	5483
160	4064	135.7	3446	84.8	2154	152.9	3884	191.6	4866	230.2	5848
170	4318	144.2	3662	90.1	2289	162.5	4127	203.6	5170	244.6	6214
180	4572	152.6	3877	95.4	2423	172	4369	215.5	5474	259	6579
190	4826	161.1	4092	100.7	2558	181.6	4612	227.5	5779	273.4	6945
200	5080	169.6	4308	106	2692	191.1	4855	239.5	6083	287.8	7310
250	6350	212	5385	132.5	3365	238.9	6069	299.3	7603	359.8	9138
300	7620	254.4	6462	159	4039	286.7	7282	359.2	9124	431.7	10966

PROJECTION IMAGE



CEILING / WALL MOUNT CHART



benq.eu/en-eu/business/projector.html

BenQ

© 2023 BenQ Corp. Specifications may vary by region, please visit your local stores for details. Actual product's features and specifications are subject to change without notice. This material may include corporate names and trademarks of third parties which are the properties of the third parties respectively.